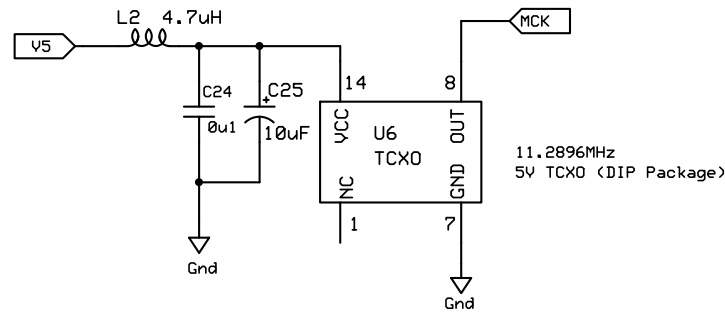
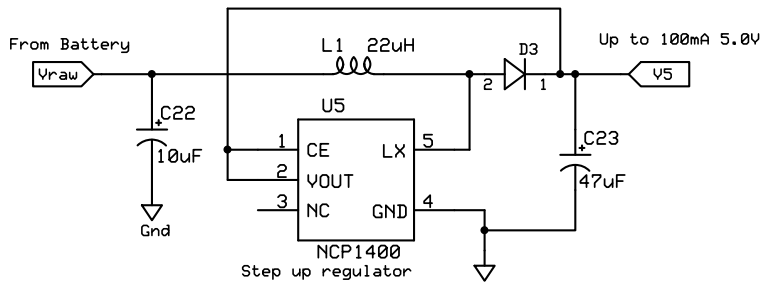


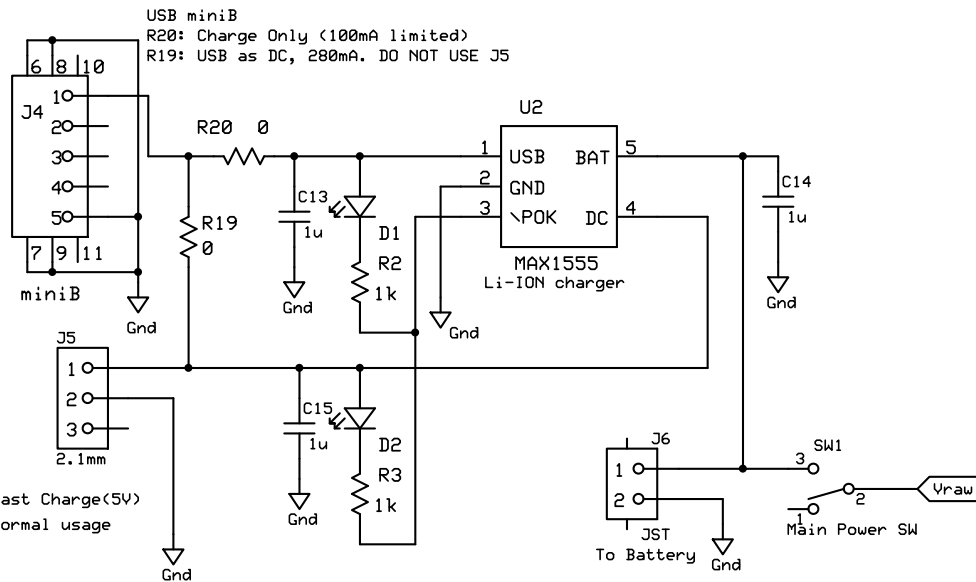
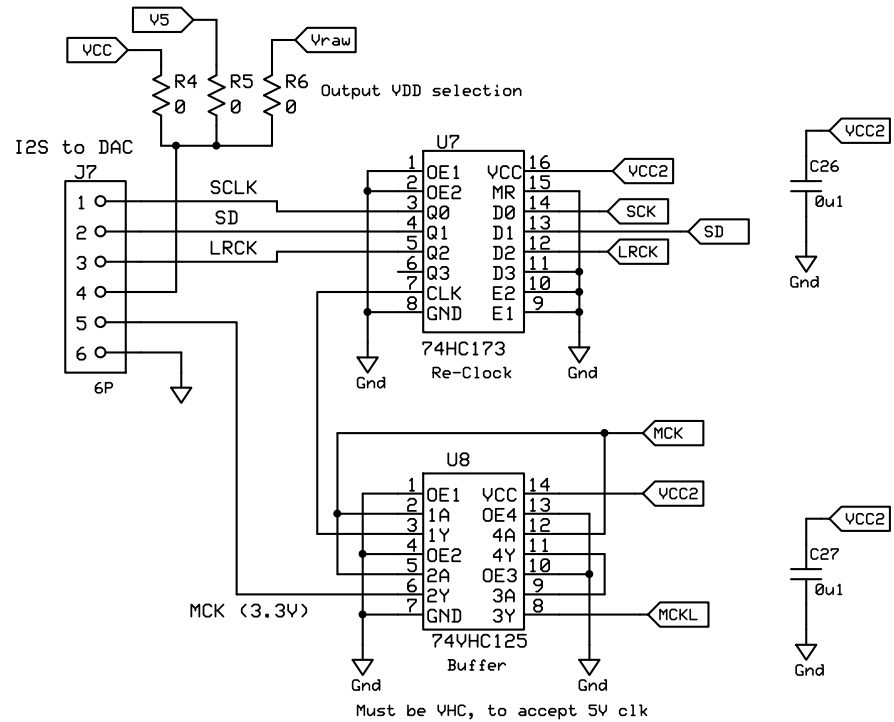
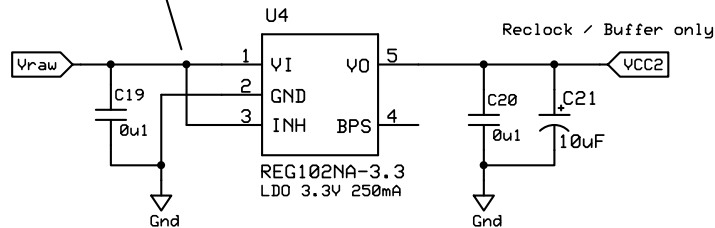
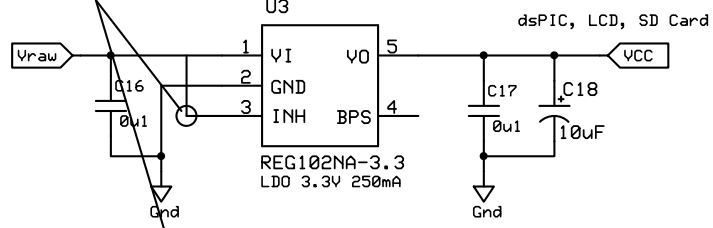
dsPIC33

The Ultimate Source Ver.2

K00N3876	Rev 1.0	1 / 3
	2009/11/01	



09/11/27 REG102 requires EN/INH pin input



## Power Supply and Clock

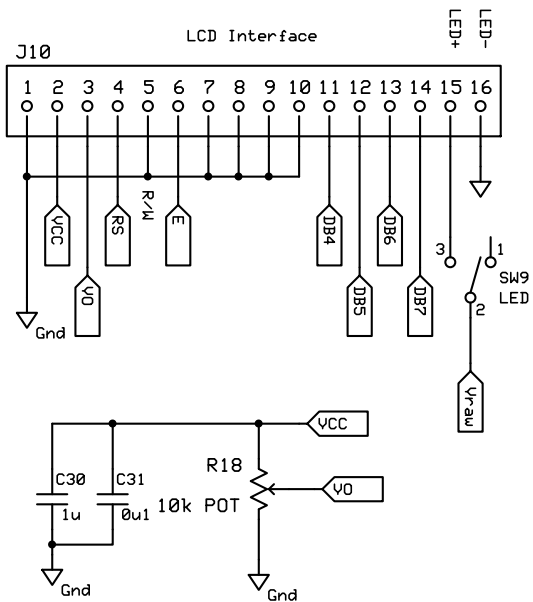
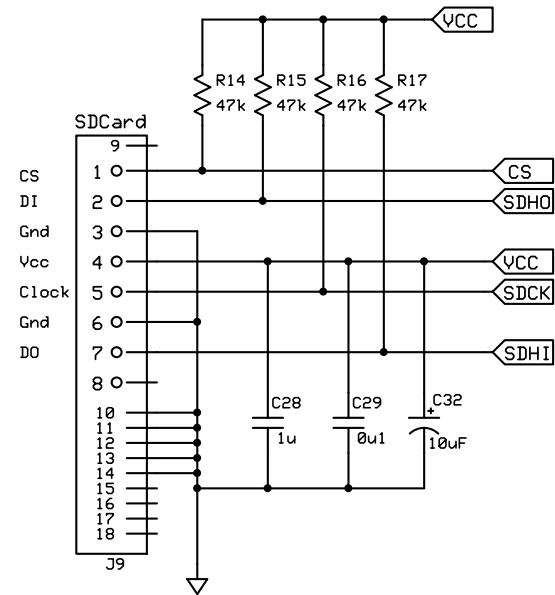
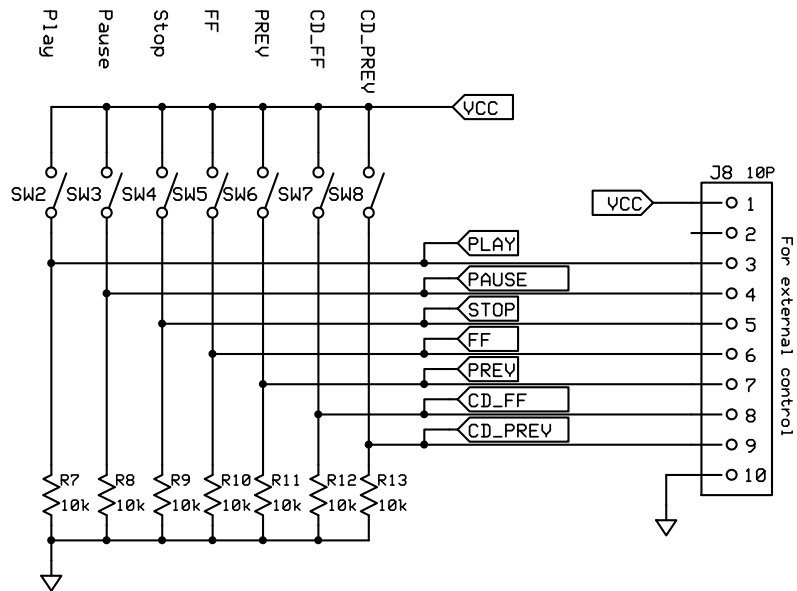
### The Ultimate Source Ver.2

KOON3876

Rev 1.0

2009/11/01

2 / 3



## Buttons, interfaces

### The Ultimate Source Ver.2

KOON3876

Rev 1.0

2009/11/01

3 / 3